

1. Intended use:

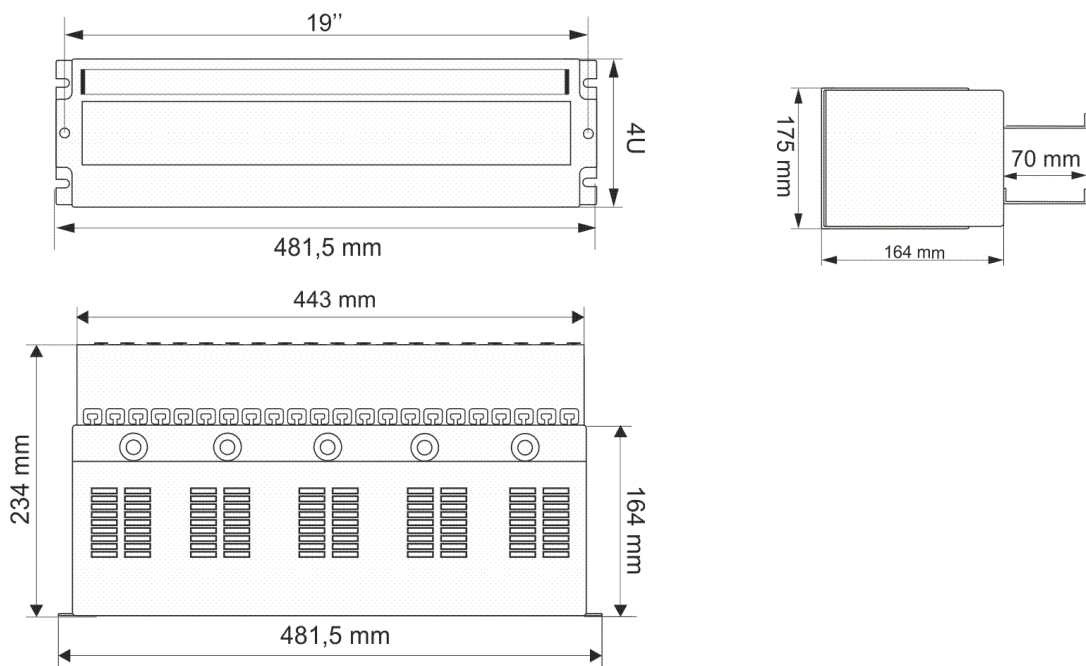
EN

The enclosure with a DIN rail for RACK cabinets is intended for mounting equipment located inside DIN enclosures, for RACK 19" cabinets. The enclosure features a DIN rail, length: 24x1S. The height of the mounted module cannot exceed 160mm. The enclosure can accommodate max. 24 fuses, 1 S wide. Six M6 screws with cage nuts for mounting in RACK cabinets are included. The enclosure features a 420x20 mm labeling field. There are cable ducts in the top and bottom panel of the enclosure, 10 pieces. A holder for a 17Ah/12V battery is included.

2. Specifications:

SPECIFICATIONS	
External dimensions	W=481,5 H=175 D=234 [mm, +/-2]
Internal dimensions	W=445 H=170 D=155
Operation temperature range	- 10°C ÷ +40°C
Net/gross weight	3,77/4,10 [kg]
Materials	sheet metal DC01, 1,0mm thick rust protection colour: RAL 9005 BLACK
Enclosure/IP.	IP20
Use	inside
Closing	bolted
Notes	- the enclosure can accommodate max. 24 fuses, 1 S wide - the enclosure features a 420x20 mm labeling field - the enclosure is equipped with 6 M6 screws with cage nuts for mounting in RACK cabinets and a holder for a 17Ah/12V battery
Declarations	RoHS

3. Dimensions:



4. Enclosure:



MANUFACTURER
Pulsar K.Bogusz Sp.j.
Siedlec 150,
32-744 Łapczyca, Poland
Tel. +48 14-610-19-40, Fax. +48 14-610-19-50
e-mail: biuro@pulsar.pl, sales@pulsar.pl
http:// www.pulsar.pl, www.zasilacze.pl

WARRANTY
24 months from the date of purchase.
THE WARRANTY IS VALID only upon presentation of the item's proof of purchase.