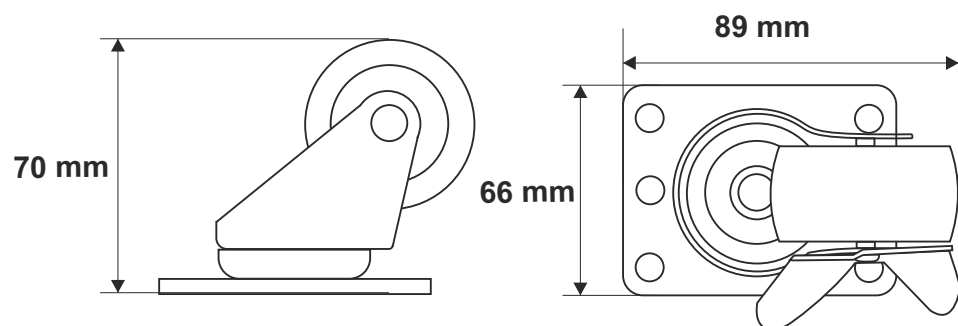


CODE: **RAKB** v1.0/1  
 NAME: **Caster 2" with brake for floor standing cabinet**



### INTENDED USE

The caster for floor standing RACK cabinets. The set of 4 casters enables easy moving of the cabinet and locking it in the selected position.

### SPECIFICATIONS

<b>Dimensions:</b>	W=66, H=70, D=89 [mm, +/-2], O=2"
<b>Net/gross weight:</b>	0,13 / 0,14 [kg]
<b>Materials:</b>	- 2mm cold-rolled steel (SPCC) - caster 2" - plastic
<b>Load:</b>	150 kg
<b>Use:</b>	inside
<b>Notes:</b>	- bolted to the bottom panel of the cabinet - 4 screws included