

TECHNICAL DATA SHEET: E2 - DIN6923

E4 - DIN934



E2 - DIN 6923



E4 - DIN 934

FEATURES

E2 - DIN6923

Metric screw for shelving. Low neck head. M6 x 15mm.

- Material: Steel.
- Coating: Zinc plated.

Self-locking nut M6.

- Material: Steel.

E4 - DIN934

Metric screw for shelving. Special neck head. M8 x 16mm.

- Material: Steel.
- Coating: Zinc plated.

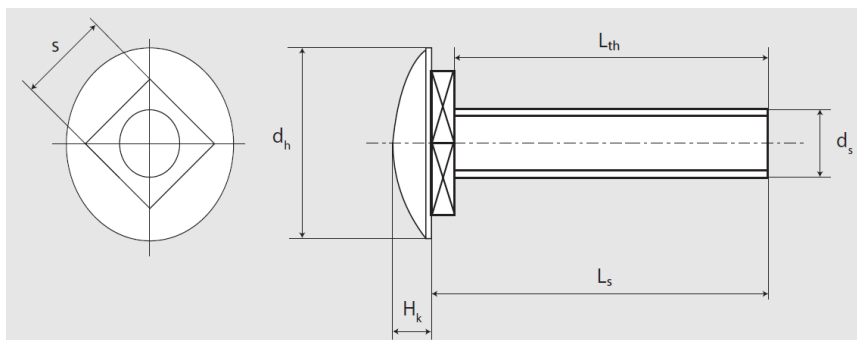
Self-locking nut M8.

- Material: Steel.

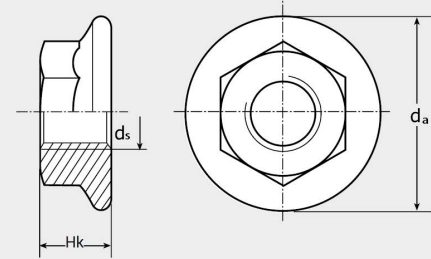
BASE MATERIALS

- Shelves.
- Metal structures.
- Metal shelves.

MAIN DIMENSIONS (mm)



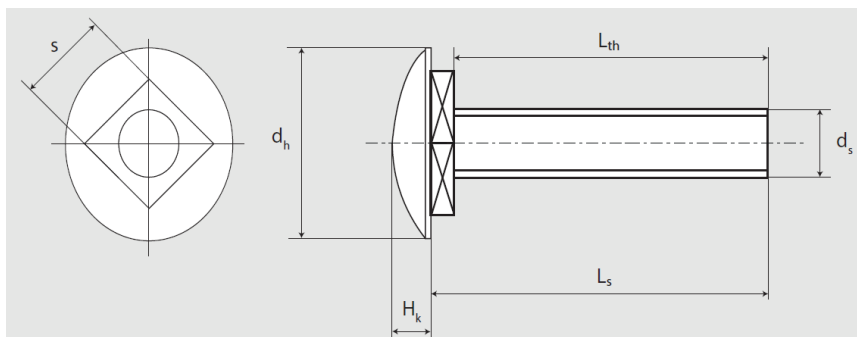
E2



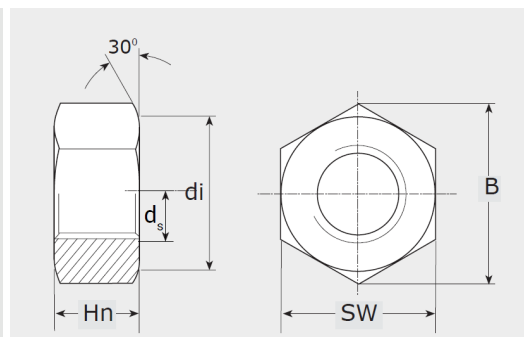
DIN 6923

d_s	L_s [mm]	L_{th} [mm]	d_h [mm]	H_k [mm]	s [mm]
M6	15	13	14,65	3,88	6,4

d_s	H_k [mm]	d_a [mm]	Recess
M6	6	14,2	10



E4



DIN 934

d_s	L_s [mm]	L_{th} [mm]	d_h [mm]	H_k [mm]	s [mm]
M8	16	14	17,25	4,1	8

d_i [mm]	d_s [mm]	H_n [mm]	SW [mm]	B [mm]
11,7	M8	6,5	13	14,38

● ● ● Small Things Matter ●

MECHANICAL SPECIFICATIONS

E2 - Quality 4.8

DIN 6923 - Class 8

E4 - Quality 4.8

DIN 934 - Class 8

APPLICATIONS

- Cable trays
- Shelves
- Metal structures
- Metal shelves

