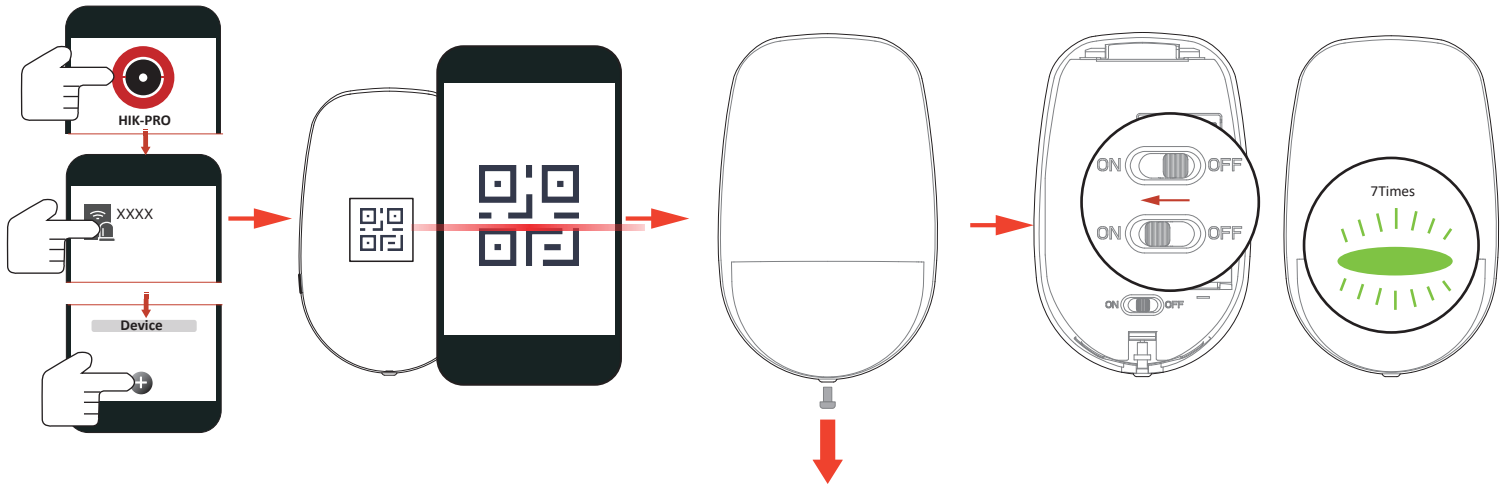


2 Enroll the Peripheral with QR and serial No.

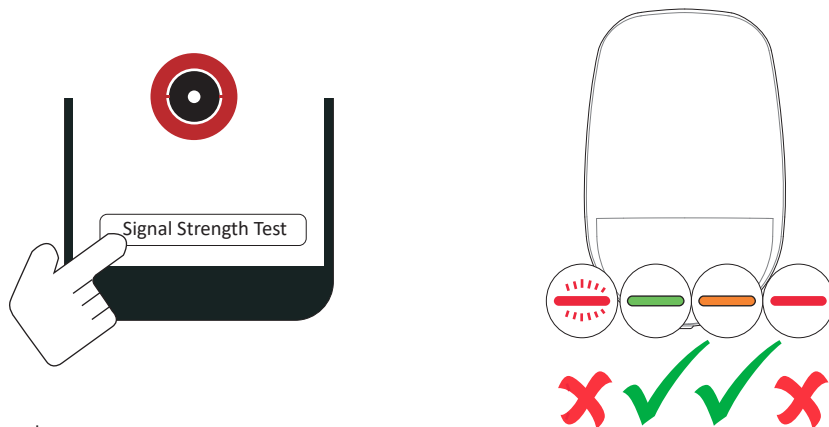
1. In the APP, tap the icon "+" and scan the QR code or serial No. on the peripheral.
2. Loosen the screw and remove rear panel.
3. Power on the peripheral, and it will be automatically enrolled to the control panel.



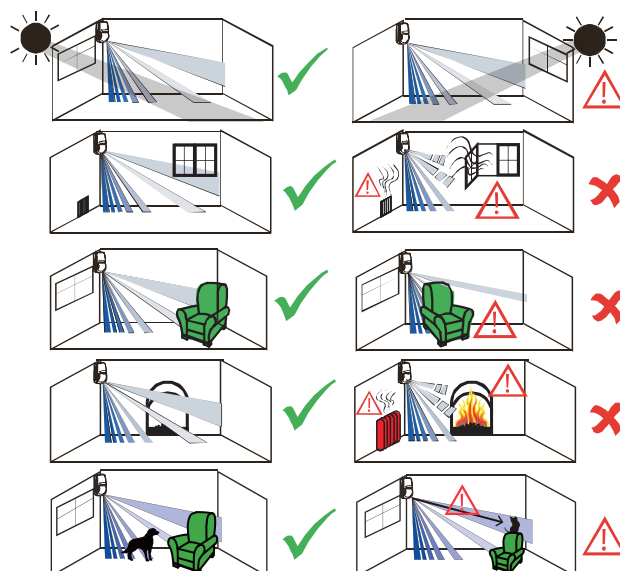
Note: Hold the tamper button, and make the device power off and then power on for re-enrollment.

3 Installation

1. Check Signal Strength
Enter the signal checking mode by operating on the control panel. Trigger the detector.
Solid Green for 3 s - Strong Signal
Solid Orange for 3 s - Medium Signal
Solid Red for 3 s - Weak Signal
Red light flashes for 3S - Failure



2. Check the installation environment

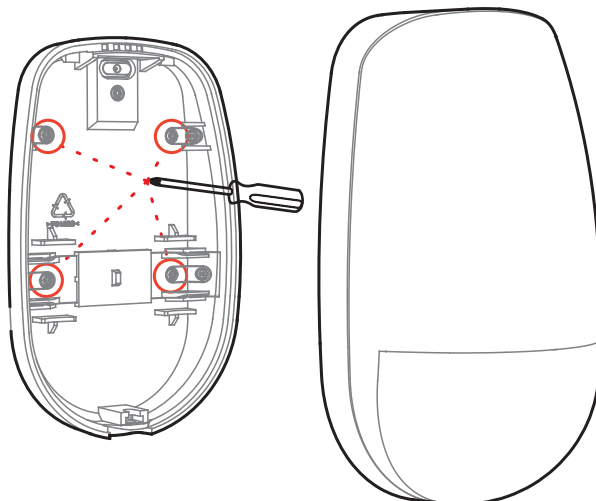


3. Install the Detector

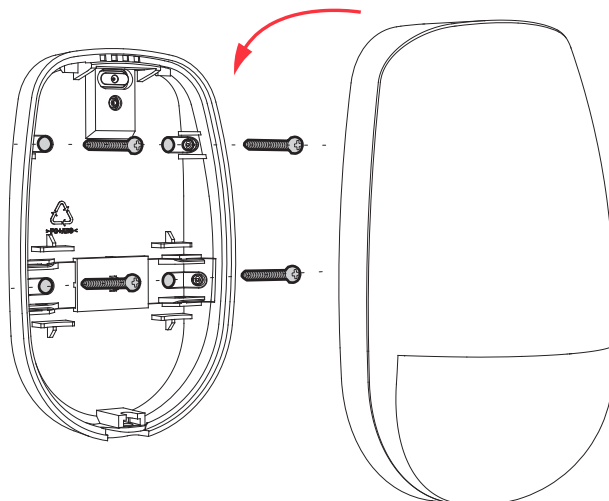
Note: The additional force shall be equal to three times the weight of the equipment but not less than 50N. The equipment and its associated mounting means shall remain secure during the installation. After the installation, the equipment, including any associated mounting plate, shall not be damaged.

with Screws

- a. Knock out the screw holes on the rear panel.

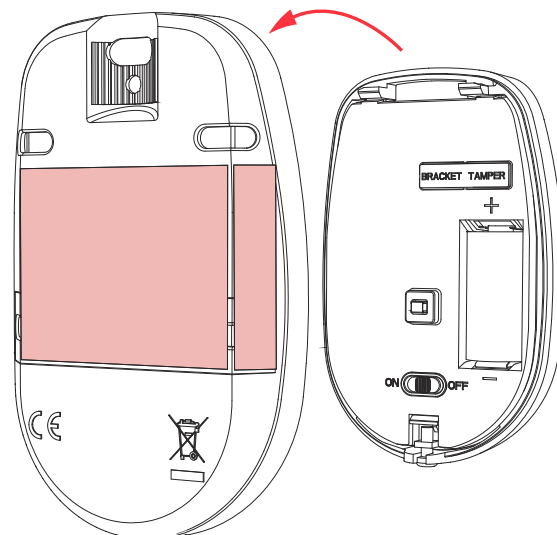


- b. Secure the rear panel on the wall with four screws.



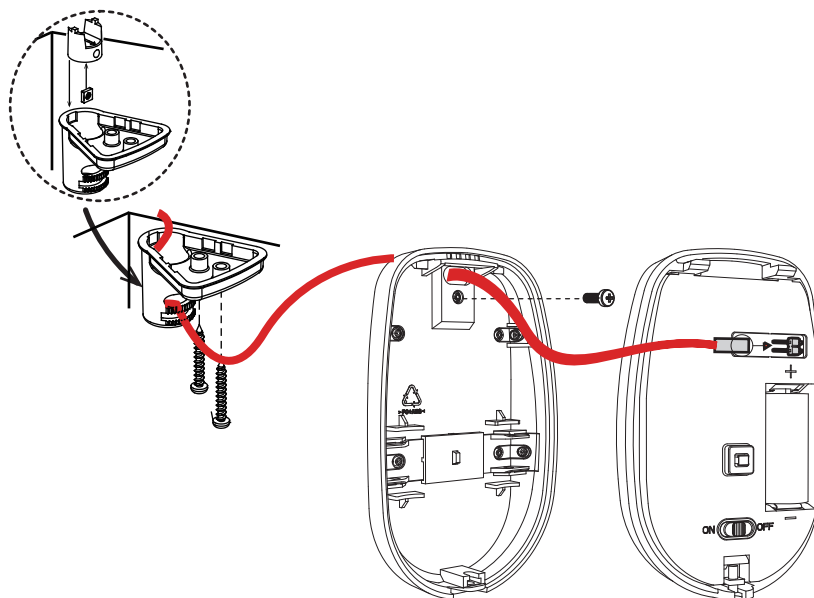
with the Sponge Tape

Paste the device on the wall with sponge tape.

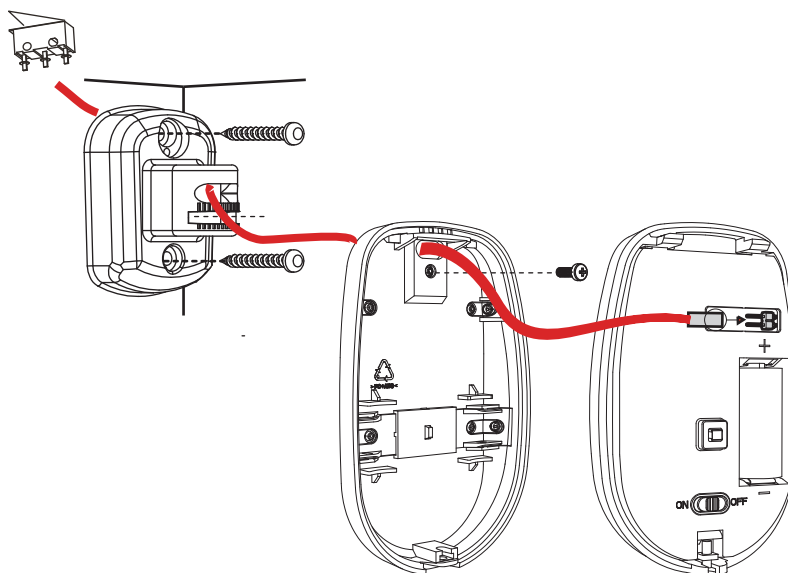


Note: Installing with sponge tape is non EN compliant.

Bracket Installation
Ceiling Bracket Fitting (Non EN compliant)



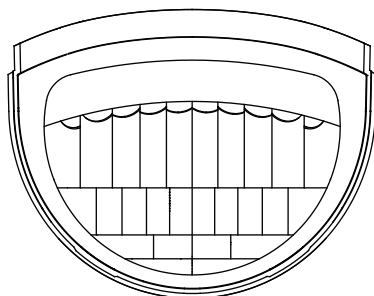
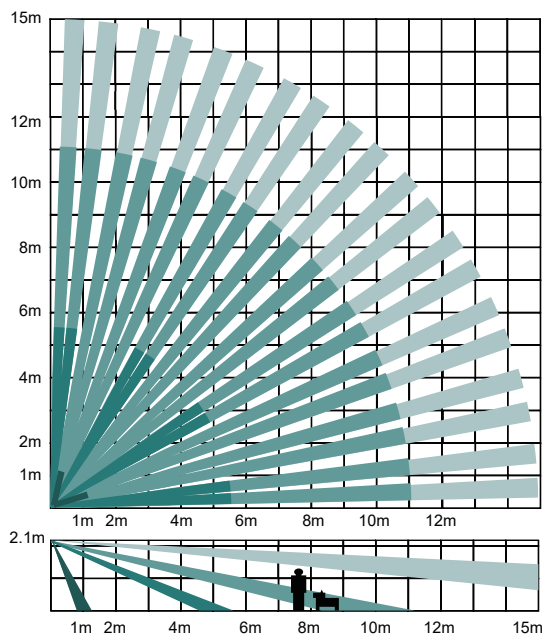
Wall Bracket Fitting



4 Test

Detector zones and planes

The zones and plans of the detector are shown below.

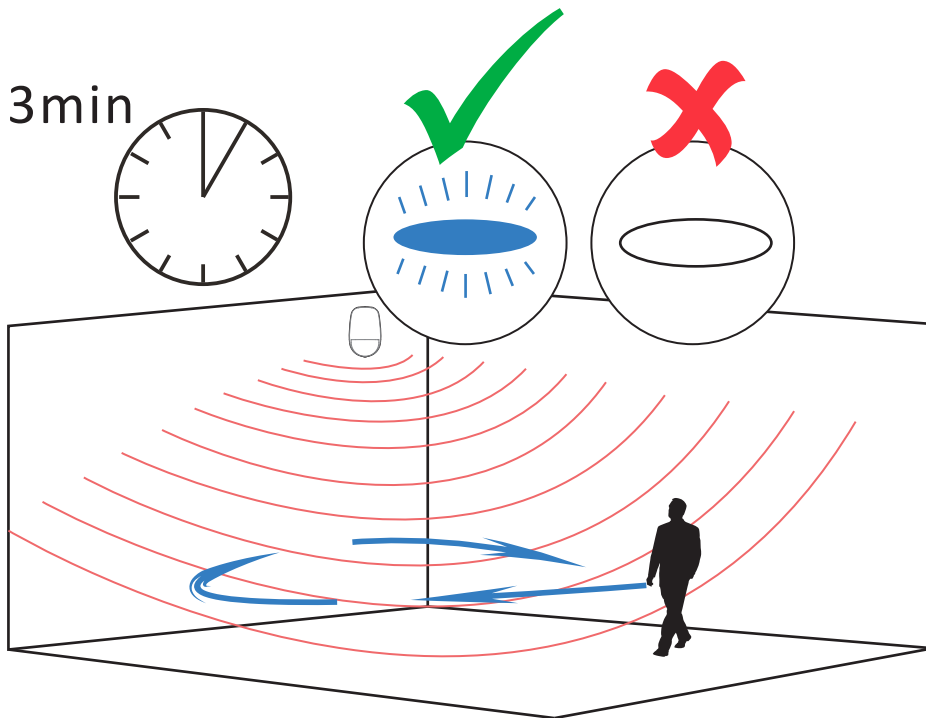


- (a) Detection Range
- 85.9°
- 52 zones
- 4 planes

The detector will enter the walk test mode (3 minutes) after being enrolled.

Trigger the detector within the detection range.

If the LED indicator turns blue, the installation position is properly. If the LED indicator is still off, adjust the position of the detector.



5 Formatting

Hold the tamper switch for 8 s and power the device on at the same time. The red LED flashes 3 times when the formatting operation is completed.


6 Set up with App

Link the detector to the zone.

On the device list page, tap the AX PRO and then log in to the device (if required) to enter the Area page.

Tap Device, and tap the zone.

You can view the device status including temperature, battery status, signal strength, etc.

Tap the  button in the upper right corner to enter the Settings page.

Function	Description
Zone Type	Select the zone type of the detector such as the instant zone, the 24-hour zone, etc.
Stay Arm Bypass	Slide to green to bypass the zone from stay arming.
Forbid Bypass on Arming	Slide to green to forbid the zone with fault to be bypassed automatically when arming.
Chime	Slide to green to enable the chime.
Silent Alarm	Slide to green to make the zone keep silent while alarm is triggered.

Function	Description
Sounder Delay Time	Set the delay time. The sounder will be triggered immediately or after the set time.
Double Knock	Slide to green to make the zone alarm with double knock.
Cross Zone	If the alarm triggered in both of the linked zones within the set time, two alarm messages will be reported.
Link Camera	Link with a camera for intruder verification.
LED	Turn On/Off the LED.
Swinger limit activations	Set the limit times of swinger activation.
Polling Rate	Set the interval of heartbeat.
Signal Strength Test	Enter the test mode, and view the LED indication.
Detection Zone Test	Enter the test mode, and start walk test.
Find Me	Tap Find Me to make peripherals find the zone.
Bypass	Slide to green to bypass the zone.

7 Operation Caution and Device Maintenance

- All the electronic operation should be strictly compliance with the electrical safety regulations, fire prevention regulations and other related regulations in your local region.
- Do not drop the device or subject it to physical shock, and do not expose it to high electromagnetism radiation. Avoid the equipment installation on vibrations surface or places subject to shock (ignorance can cause equipment damage).
- Please make sure that the power has been disconnected before you wire, install or dismantle the device.
- If smoke, odors or noise rise from the device, turn off the power at once and unplug the power cable, and then please contact the service center.
- Do not drop the device or subject it to physical shock, and do not expose it to high electromagnetism radiation. Avoid the equipment installation on vibrations surface or places subject to shock (ignorance can cause equipment damage).
- Do not place the device in extremely hot (refer to the specification of the device for the detailed operation temperature), cold, dusty or damp locations, and do not expose it to high electromagnetic radiation.

- The device for indoor use shall be kept from rain and moisture. Exposing the equipment to direct sun light, low ventilation or heat source such as heater or radiator is forbidden (ignorance can cause fire danger).
- Do not aim the device at the sun or extra bright places. A blooming or smear may occur otherwise (which is not a malfunction however), and affecting the endurance of sensor at the same time.
- Improper use or replacement of the battery may result in hazard of explosion. Replace with the same or equivalent type only. Dispose of used batteries according to the instructions provided by the battery manufacturer.
- Do not expose the device to the corrosive gas. Otherwise the equipment damage may occur.
- Do not expose the device to the explosive situation.

8 Specification

	Model	DS-PDP15P-EG2-WB/WE
Detection Performance	Detection Method	Passive Infrared
	Sensor Model	SFG321-711
	Detection Range	15m(12 metre EN compliant)
	Detection Angle	85.9°
	Detection Zones	52
	Detectable Speed	0.3~2m/s
	Sensitivity	Auto,High,Pet
	Pet Immunity	30Kg
	White Light Filter	6500lux
	Digital Temperature Compensation	Support
Feature	Creep Zone Protection	Support
	Digital Processing	Support
	Sealed Optics	Support
	Tamper Protection	Front,Rear
	Environment Temperature Indicator	Support
Interface	Signal Strength Indicator	Support
	Power Switch	Power Up Enrolling
Transmission	LED Indicator	Blue(Alarm)
	Transmission Technology	Tri-X Wireless
	Transmission Method	Two-Way RF Wireless
	Transmission Frequency	433MHz/868MHz
	Transmission Security	AES-128 Encryption
	Transmission Range(Free Space)	1.2Km(433MHz)/1.6Km(868MHz)
	Frequency Hopping	Support
Electrical Characteristics	Enrolling Method	Power up,Remote ID,QR Code
	Power Supply	Battery Powered
	Battery Type	CR123A x 1 (included), 3V/1600mAh
	Typical Voltage	3V
	Low Voltage Value	2.45 V
	Consumption	Max. current: 60mA Quiescent current: 32uA (disarmed), 12uA (armed)
	PS Type	Type C
General	Standard Battery Life	5 Years
	Operation Temperature	-10 °C to 55 °C (14 °F to 131 °F)
	Storage Temperature	-20 °C to 60 °C (-4 °F to 140 °F)
	Operation Humidity	10% to 90%
	Dimension(WxHxD)	65.5mm × 103mm × 48.5mm
	Weight	128g
	Mounting Height	1.8 to 2.4m
	Mounting Method	Wall
Application Scenario	Indoor	
Bracket	Optional Wall & Ceiling Accessory	

Note: when the low voltage message appears there will be at least 30 days of use.