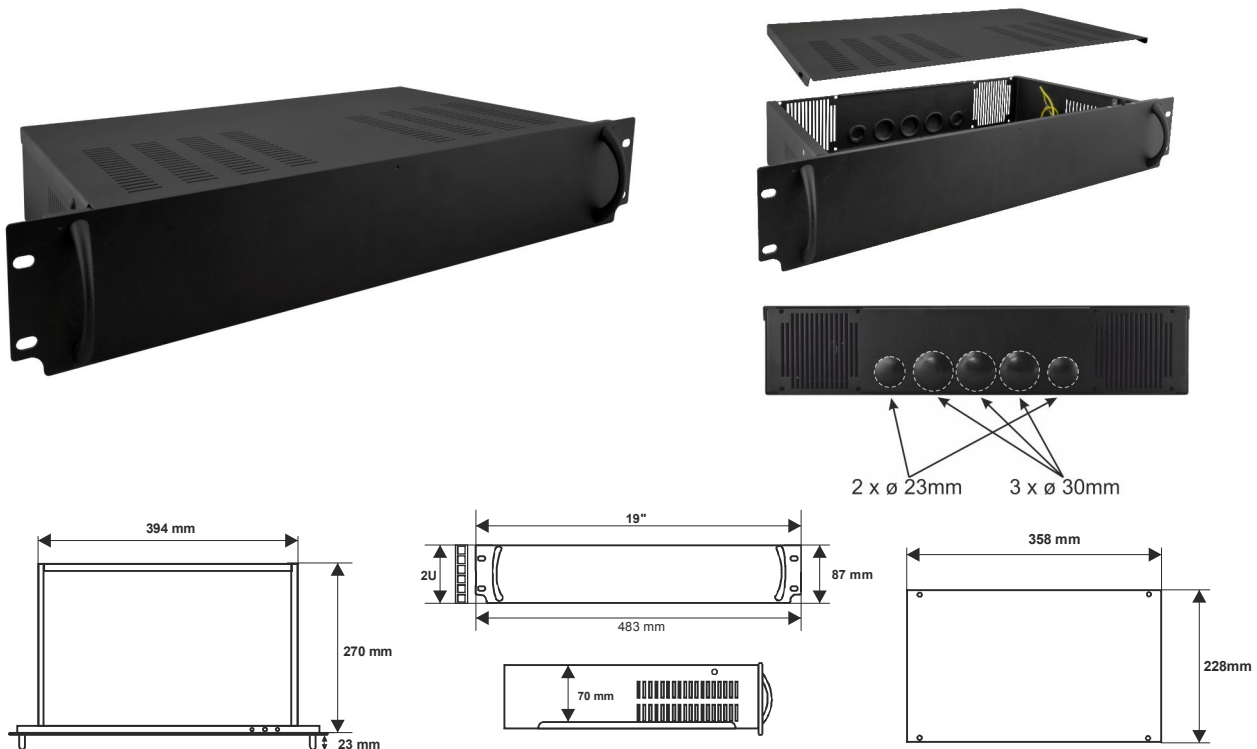


CODE: **ARAD2S** v.1.0/1
 NAME: **RACK 2U/270mm universal enclosure for RACK 19" cabinets**



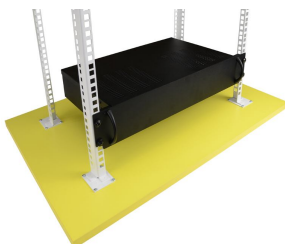
INTENDED USE

Due to its design, the ARAD2S enclosure is intended for mounting inside RACK 19" cabinets. This general-purpose enclosure may serve as an auxiliary element for integrating CCTV, AC, I&HAS, RTV, LAN systems in RACK 19" cabinets. It is intended for mounting alarm control panels, AC controllers, power supply units, batteries, etc.

SPECIFICATIONS

Mounting dimensions:	W=19", H=2U
Internal dimensions:	W=390, H=70, D=265 [mm, +/-2]
Fitting battery:	7Ah/12V
Net/gross weight:	3,80 / 4,10 [kg]
Materials:	sheet metal DC01, 1,0mm thick + front panel thickness: 1,5mm, RAL9005 BLACK
Tampering protection:	against unwanted opening of the enclosure
Static load:	- with the ARAS450 rails - 30kg - without the ARAS450 rails - 5kg
Static load:	inside, IP20
Notes:	- four-point fixing to the front RACK rails - 4 M6 screws with cage nuts included - the enclosure contains a mounting plate - for mounting with the ARAS450 rails - fully extendable enclosure
Declarations, warranty:	CE, 2 year from the production date

Mounting without the ARAS450 rails to 5kg



Mounting with the ARAS450 rails to 30kg

