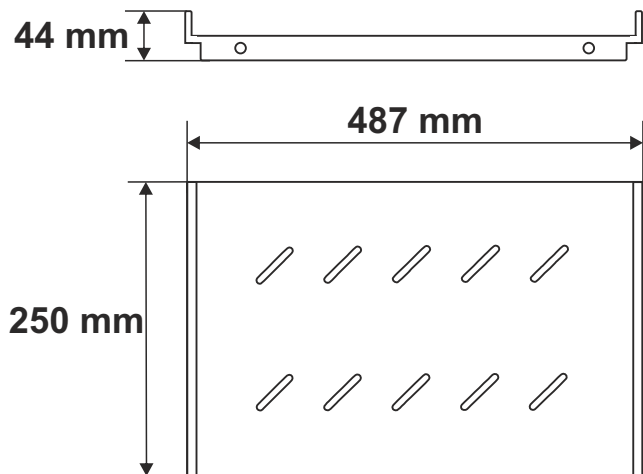
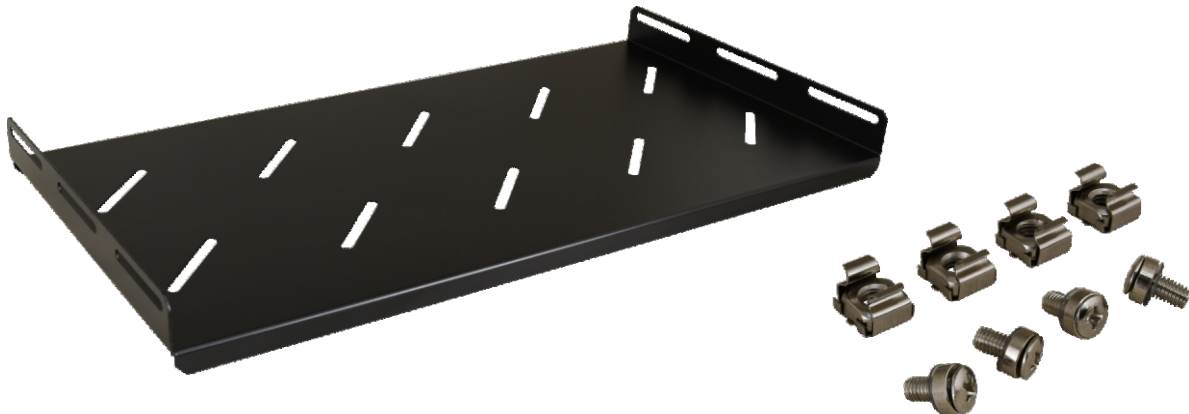


CODE: **RAPS450** v1.1/III
 NAME: **Fixed shelf 485x250 for RACK cabinet, type RW/RWA/RWD**

EN



INTENDED USE

The fixed shelf is intended for a 450mm (600mm) deep RACK cabinet, type: RWA/RW/(RWD). Due to the shelf, the RACK cabinet can accommodate devices that are not housed in a RACK 19" enclosure.

SPECIFICATIONS

External dimensions:	W=487, H=44, D=250 [mm, +/-2]
Dimensions of the shelf:	W=485, D=250 [mm, +/-2]
Net/gross weight:	1,42 / 1,57 [kg]
Materials:	1,2 mm steel sheet, RAL 9004
Static load:	60 kg
Use:	inside
Warranty:	1 year from production date
Notes:	- four-point fixing to the side RACK rails - mounting set includes: 4 M6 screws, cage nuts